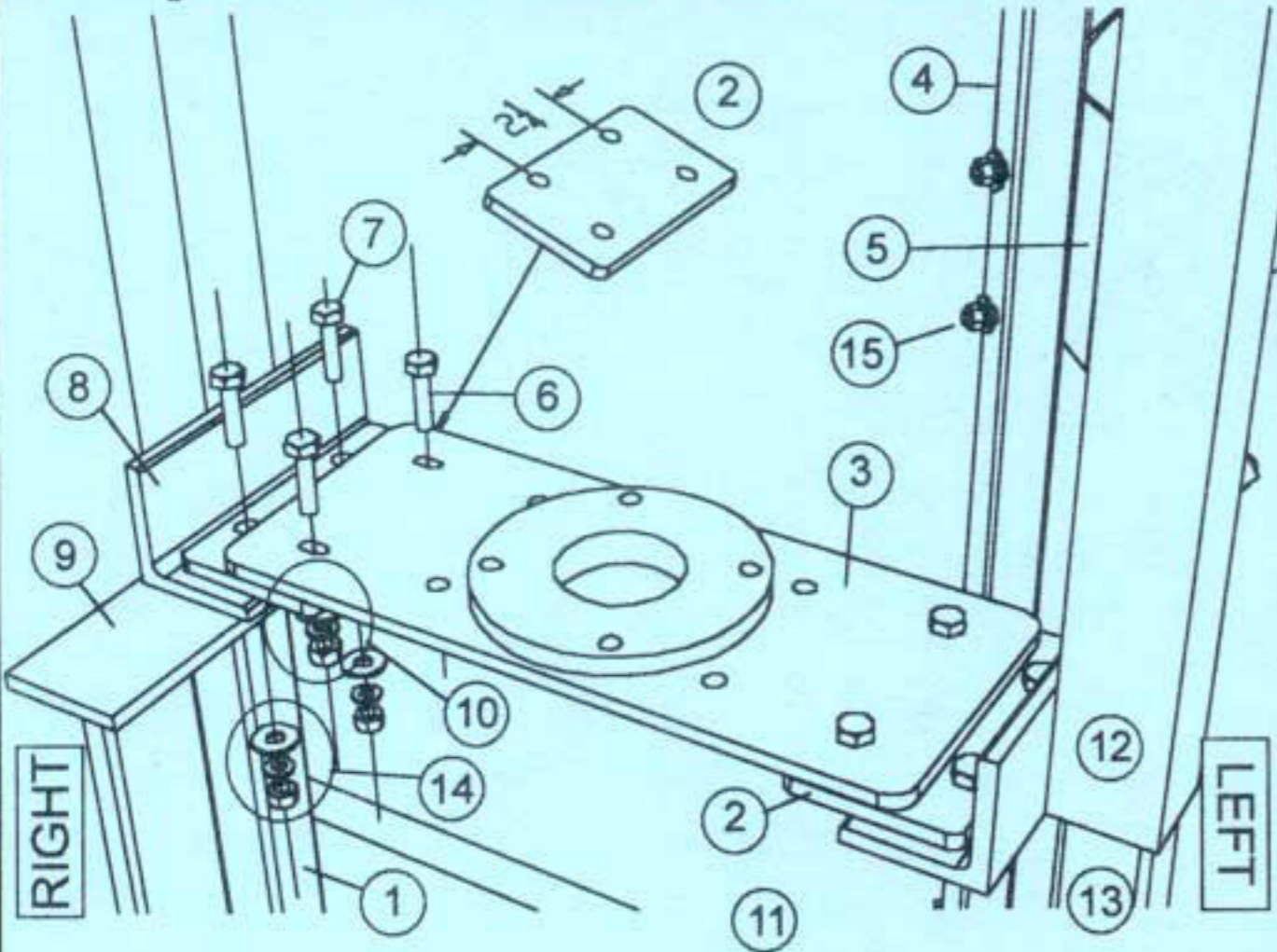


Adaptors - for HD55 and 505EX only



- | | |
|------------------------|--------------------------------|
| 1. Right pole | 8. Cradle |
| 2. Adaptor plate | 9. Swivel brace |
| 3. Engine mount | 10. Washer, lock washer, nut |
| 4. Rear pole | 11. Base |
| 5. Winch | 12. Cradle |
| 6. 1/4" Bolt | 13. Left pole |
| 7. 5/16" X 1 1/4" Bolt | 14. Washer, lock washer, nut |
| | 15. Winch nut / washers / bolt |

- | |
|---------------------------------|
| A. Tee top |
| B. Cable |
| C. Left pole |
| D. Right pole |
| E. Winch pole |
| F. Cradle |
| G. Swivel brace |
| H. Engine mount (HD77/707 only) |
| J. Base |
| K. Pulley |
| L. Winch |
| M. Stabilizer bars |
| N. Tubing Guide |
| O. Tubing stud |

